

Wiring Diagrams

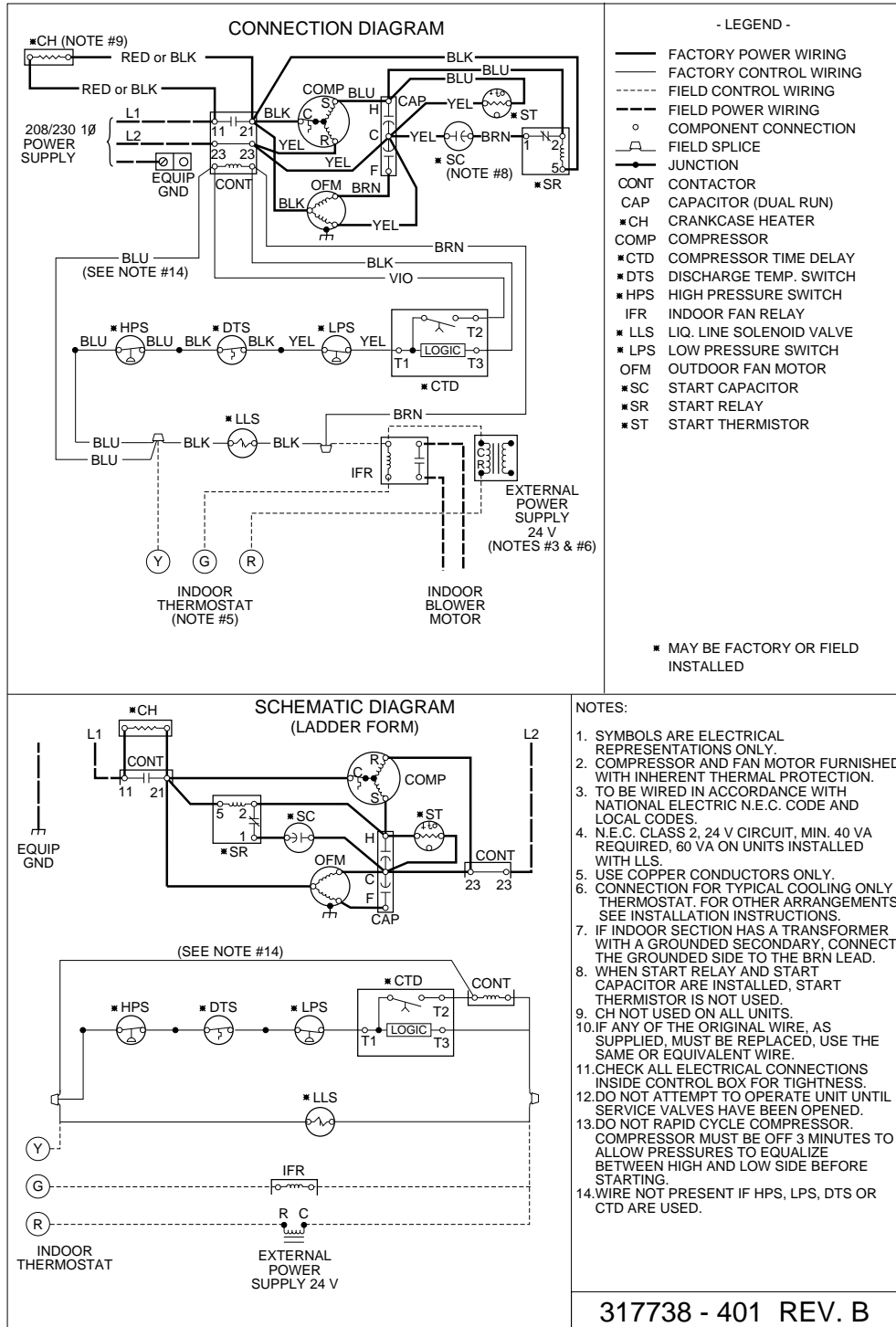


Fig. 1—38CK018 (32, 34), 38CK(M)024 (32, 34), 38CK(M)030 (30, 32), 38CK(M)036 and 042 (33, 34), 38CK(M)048 (35, 36) 208-230v, 1 Phase, 60 Hertz

A93410

Manufacturer reserves the right to discontinue, or change at any time, specifications or designs without notice and without incurring obligations.

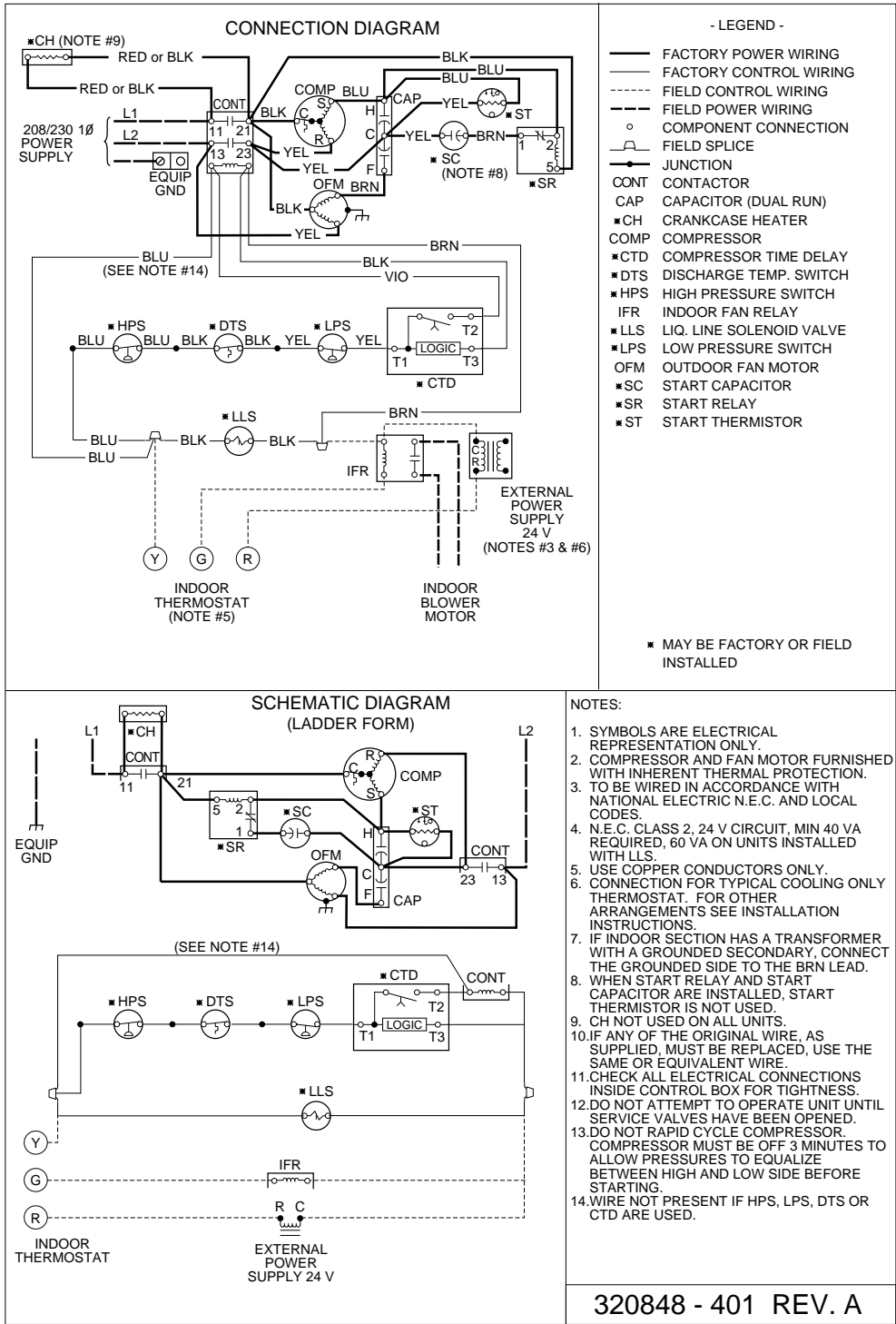


Fig. 2—38CK060 (35, 36) 208-230v, 1 Phase, 60 Hertz

A93422

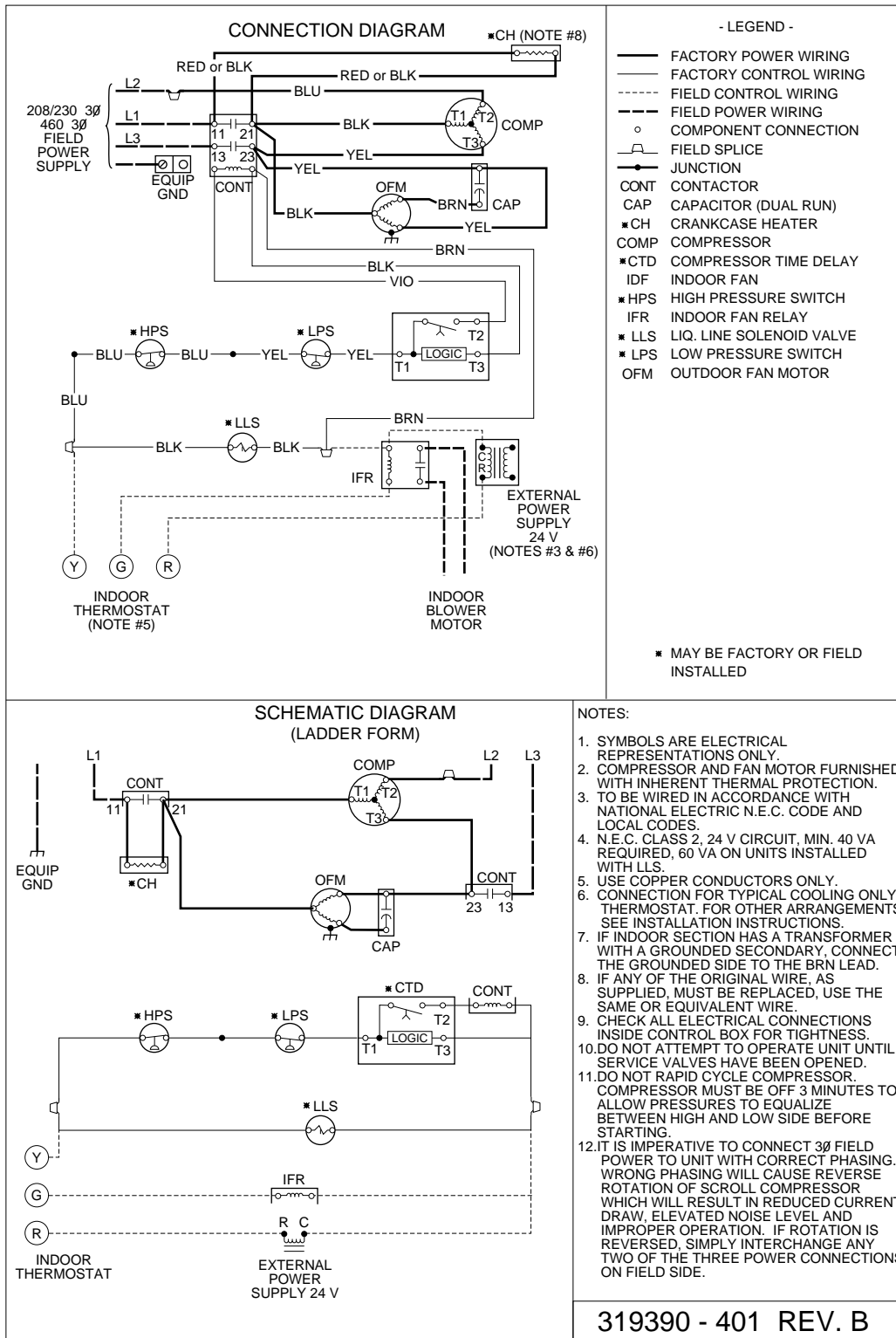


Fig. 3—38CK030 (50, 52), 38CK036 and 042 (53, 54, 63, 64), 38CK048 and 060 (54, 55, 56, 64, 65, 66) 208/230v and 460v, 3 Phase, 60 Hertz

Manufacturer reserves the right to discontinue, or change at any time, specifications or designs without notice and without incurring obligations.